

# DC DISTRIBUTION PANEL



- 16 GA Steel Powder-Coated Construction
- Circuit Breakers Rated for 10 kAIC at 125 Vdc
- 1 Main Circuit Breaker and Up to 15 DC Distribution Circuit Breakers
- NRTL listed to CSA /UL standards
- Custom Configurations Available

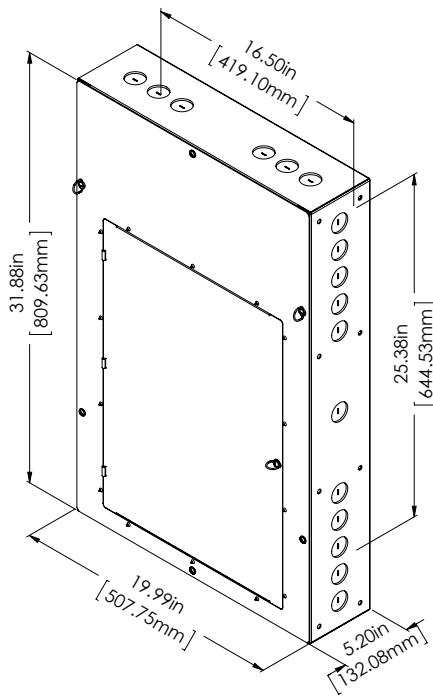
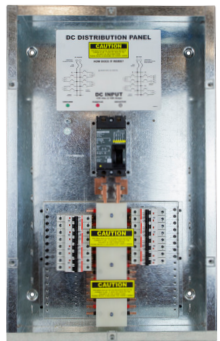
NOW THERE IS A DC DISTRIBUTION PANEL  
**DESIGNED FOR DC POWER**

# THE DC DISTRIBUTION PANEL

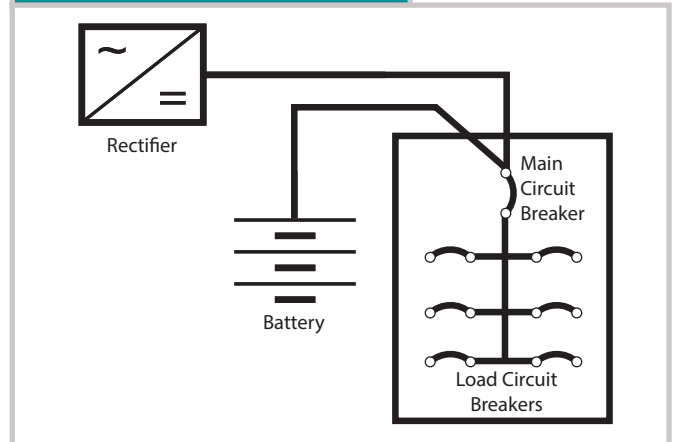
## THE SMART WAY TO CONSOLIDATE YOUR DC LOADS

### PRODUCT INFORMATION:

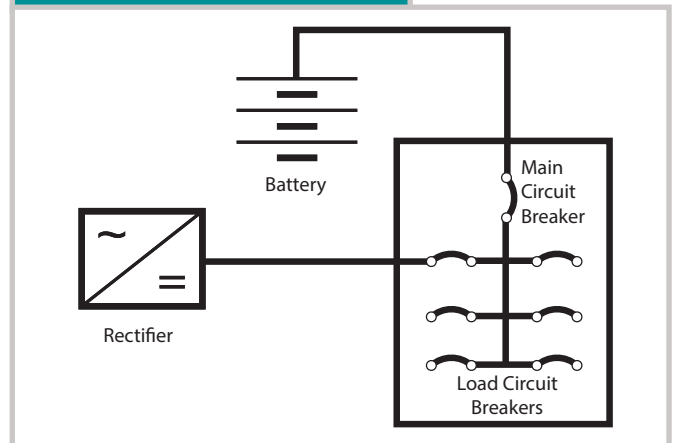
- Circuit breakers rated for 10 kAIC at 125 Vdc. High interrupting capacity breakers are available for special requirements.
- The enclosure is a NEMA-1/IP20 type enclosure, constructed with 16 GA steel, powder coated with ANSI-61gray epoxy paint.
- Standard configuration is one (1) main circuit breaker (100A or 200A trip rating), and up to fifteen (15) distribution circuit breakers (2A to 63A max). Other configurations available.



### CONFIGURATION A



### CONFIGURATION B



### MODEL NUMBERS:

EJ5140-10 (100A Main)  
EJ5140-20 (200A Main)

\*When ordering a DC Distribution Panel, please select configuration (A or B), the size of your main circuit breaker, number and trip rating of branch circuit breakers.

### FOR MORE INFORMATION:

Call to speak with our professional and knowledgeable team:

#### BAE USA

484 County Road V V | Somerset, WI 54025  
715-247-2262



ETL NRTL/C - CSA C22.2/UL 508A compliant

JF5055-00 Rev3 05-17

BAE 12-17

All specifications subject to change.



BAE USA in Partnership with Hindle Power

